



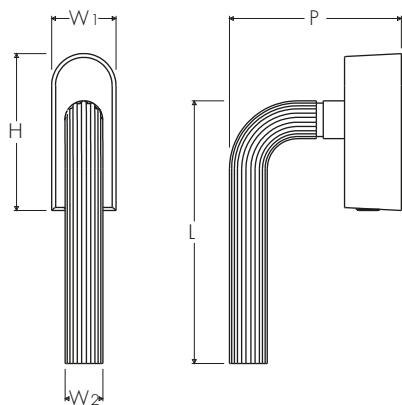
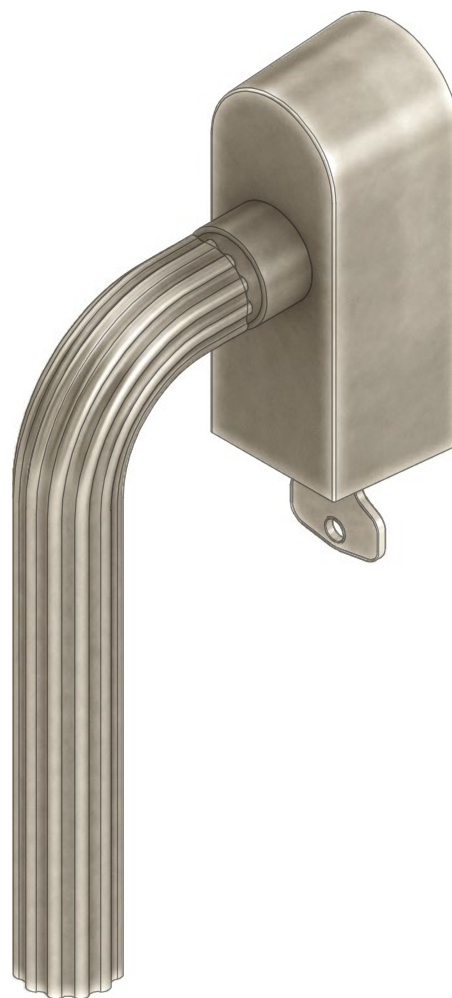
# ATELIER BONOMI

## Drehkipp con Chiave per Finestra Serie Doric Doric Series Drehkipp Window Handle with Key

Dimensioni  
Dimensions

L	P	W 2	W 1	H
139	91	20	34	83

Dimensioni in millimetri  
Dimensions given in millimeters



Fornito con meccanismo DK  $\varnothing 7 \times 45$  mm e viti M5x50 mm.  
Disponibile in tutte le finiture standard.

Dimensioni e finiture su misura disponibili su richiesta.

Regularly furnished with DK mechanism  $\varnothing 7 \times 45$  mm and M5x50 mm screws.  
Additional sizes available by special order. Available in standard and custom finishes